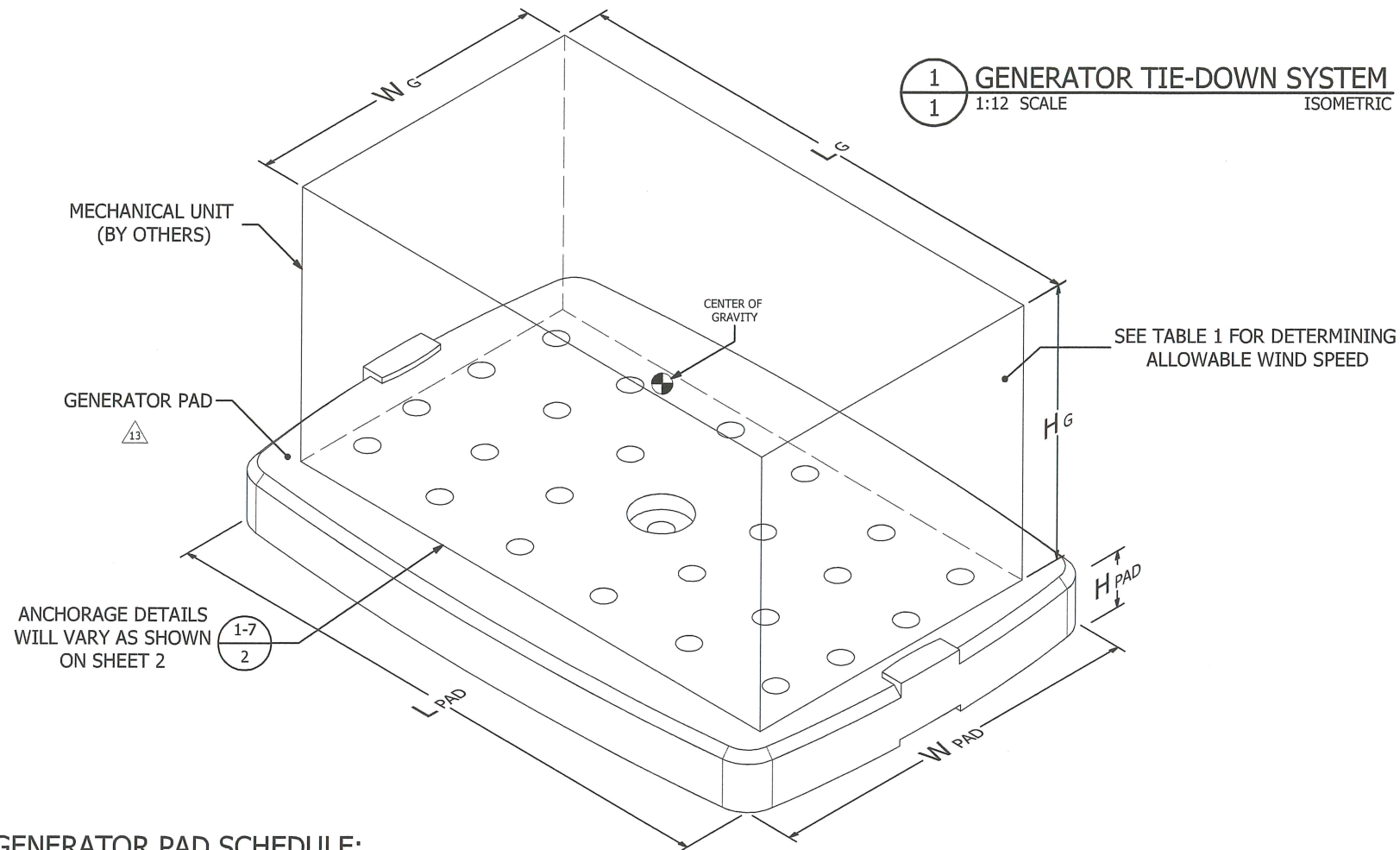


MAINSTREAM ENGINEERING CORP.

QWIKPAD® GENERATOR PAD

GENERATOR TIE-DOWN SYSTEM FOR HIGH-VELOCITY HURRICANE-ZONE (HVHZ)



GENERATOR PAD SCHEDULE:

QWIKPAD® GENERATOR PAD							GENERATOR						
PART NO.	INSTALLED PAD WEIGHT	L _{PAD}	W _{PAD}	H _{PAD}	RATED WIND SPEED	ULTIMATE PRESSURE	MAKE	NOMINAL RATING	MODEL NO.	L _G	W _G	H _G	MIN. WEIGHT
-	LB	IN	IN	IN	MPH	PSF	-	-	-	IN	IN	IN	LB
QT8200	330	56	38	5	180	66.2	(UNIVERSAL-LEGACY)	-	ALL LISTED MAKES/MODELS EXCEPT CUMMINS/BRIGGS	SEE DESIGN NOTE 6			
	330	56	38	5	180	66.2	(UNIVERSAL)	-	ALL LISTED MAKES/MODELS EXCEPT BRIGGS	SEE DESIGN NOTE 6			
QT8201	330	56	38	5	180	66.2	CUMMINS	13 kW	C13N6H	34.1	36	27.3	479
								17 kW	C17N6H	34.1	36	27.3	540
								20 kW	C20N6H, C20N6HC	34.1	36	27.3	540
QT8210	330	56	38	5	180	66.2	BRIGGS & STRATTON	17 kW	040459	47	31	31	484
								20 kW	040336, 040547	46.5	26.8	28.4	520
QT8215	330	56	38	5	180	66.2		17 kW	040651	46.5	26.8	28.4	520
								20 kW	040652, 040657	46.5	26.8	28.4	540
QT8220	330	56	38	5	180	66.2	GENERAC	26 kW	040658, 040664	46.5	26.8	28.4	540
								20 kW	040574, 040593, 040573	49.2	31.7	30.6	443
QT8230	330	56	38	5	180	66.2		9 kW	G007029, G007030				340
								11 kW	G007031, G007032, G007033				348
								16 kW	G007035, G007036, G007037				409
								20 kW	G007038, G007039	48	25.1	28.6	448
								22 kW	G007042, G007043				466
								24 kW	G007209, G007210				455
								26 kW	G007290, G007291				518
QT8230	330	56	38	5	180	66.2	HONEYWELL	16 kW	G007059				409
								20 kW	G007062	48	25.1	28.6	448
								22 kW	G007065				466
					178*	64.8	KOHLER	14 kW	14RCA				440
								14 kW	14RCAL-200SELS	47	26	32.3	490
								14 kW	14RESA				420
QT8240	330	56	38	5	180	66.2		14 kW	14RESAL				467
								20 kW	20RCA				555
								20 kW	20RCAL-200SELS	48	26.2	29	600
							20 kW	20RESA, 20RESC				535	
							20 kW	20RESAL, 20RESEL				580	

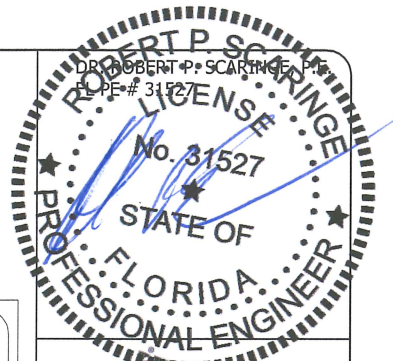
* 180 MPH WIND SPEED RATING ACHIEVED WITH USE OF QT8110 OR QT8111 ANCHOR KITS (FOR SOIL AND CONCRETE INSTALLATION SITES, RESPECTIVELY)

DESIGN NOTES:

- THIS PRODUCT HAS BEEN DESIGNED IN ACCORDANCE WITH ASCE 7-16 AND THE FLORIDA BUILDING CODE - SEVENTH EDITION (2020) FOR USE WITHIN AND OUTSIDE THE HIGH-VELOCITY HURRICANE ZONE (HVHZ).
 - DESIGN CONSIDERS ASCE 7-16 SECTION 29.4 DESIGN WIND LOADS - OTHER STRUCTURES. ALL OTHER DESIGN VARIABLES AND LOADING FACTORS ARE IN ACCORDANCE WITH ASCE 7-16 CHAPTERS 26 & 29 FOR EXPOSURE CATEGORY C.
 - PRODUCTS DETAILED HEREIN ARE INCLUDED WITH THE QWIKPAD FOR GENERATORS (QT8200 SERIES) HVHZ GENERATOR MOUNTING PADS, UNLESS OTHERWISE SPECIFIED. APPROPRIATE PAD MODEL ASSUMED TO BE DETERMINED BY CONTRACTOR/INSTALLER BASED ON GENERATOR MAKE/MODEL.
 - THIS INSTALLATION SPECIFICATION IS FOR INSTALLATION OF THE GIVEN GENERATOR MODELS ATOP ANY QWIKPAD FOR GENERATORS (QT8200 SERIES), WITH THE PAD LEVELED AND LOCATED AT GRADE LEVEL ON COMPACTED GROUND OR ATOP EXISTING CONCRETE SLAB.
 - INSTALLATIONS ATOP EXISTING CONCRETE SLAB WHERE VULT WIND SPEEDS EXCEED DESIGN CHECK IN TABLE 2 REQUIRE (1) ANCHOR INSTALLED WITH S.S. FENDER WASHER THROUGH CENTER HOLE TO PREVENT SLIDING.
 - MODEL NUMBER LISTS IN GENERATOR PAD SCHEDULE AND WIND LOAD TABLES MAY NOT BE ALL INCLUSIVE. MODEL NUMBER VARIANTS MAY EXIST, OR MAY BE ADDED TO PRODUCT LINES, WHICH MEET WIND LOAD RATINGS. GENERATOR MODELS OTHER THAN THOSE LISTED HAVING EQUIVALENT, OR SMALLER, EXTERIOR DIMENSIONS (L_G, W_G, H_G), MATCHING ANCHORAGE PATTERNS, AND WEIGHT GREATER THAN OR EQUAL TO THOSE LISTED SHALL BE CONSIDERED TO MEET GIVEN VULT WIND SPEEDS. OTHERWISE, UNITS MUST BE CONSIDERED ON A CASE-BY-CASE BASIS.
 - GENERATOR MOUNT BOLTS TO BE INSTALLED INTO MAKE/MODEL SPECIFIC ANCHORAGE POINTS PER THE DEPICTED CONFIGURATION VIEWS. PROPER BOLT LENGTH ASSUMED TO BE DETERMINED BY CONTRACTOR/INSTALLER BASED ON GENERATOR MAKE/MODEL AND MINIMUM THREAD ENGAGEMENT SPECIFIED HEREIN.
 - DESIGN IS BASED ON INSPECTED PRODUCTS AND MANUFACTURING DRAWINGS PRODUCED BY MAINSTREAM ENGINEERING CORP. NO SUBSTITUTIONS WITHOUT WRITTEN APPROVAL BY THIS ENGINEER SHALL BE PERMITTED.
- ⚠️ BOLTS SHALL BE 18-8 STAINLESS STEEL PER ASTM F593 IN ACCORDANCE WITH ANSI B18.2.1 WITH UNC CLASS 2A THREADS (PER ASME B1.1).
- ⚠️ WASHERS SHALL BE 18-8 STAINLESS STEEL.
- ⚠️ THREADED INSERTS SHALL BE BRASS PER ASTM B16 WITH UNC CLASS 2B THREADS (PER ASME B1.1) AND SHALL HAVE A PULL-OUT STRENGTH GREATER THAN 250 LB.
- ⚠️ GENERATOR PAD SHALL BE LOW-DENSITY POLYETHYLENE (LDPE) WITH YIELD STRENGTH = 1.675 KSI OR BETTER PER ASTM D638 AND NOMINAL WALL THICKNESS = .220 (.1875 MIN.).
- ⚠️ GENERATOR PAD SHALL BE FILLED WITH WATER AT INSTALLATION SITE TO ACHIEVE INSTALLED WEIGHTS GIVEN IN THE GENERATOR PAD SCHEDULE. WEIGHT OF FILLED PAD IS 330 LB.

GENERAL NOTES:

- NO 33-1/3% INCREASE IN ALLOWABLE STRESS HAS BEEN USED IN THE DESIGN OF THIS SYSTEM.
- CENTER OF GRAVITY ASSUMED TO ACT AT GEOMETRIC CENTER OF UNIT.
- THE CONTRACTOR SHALL BE RESPONSIBLE TO INSULATE ALL MEMBERS FROM DISSIMILAR METALS TO PREVENT ELECTROLYSIS.
- ELECTRICAL GROUND, WHEN REQUIRED, SHALL BE DESIGNED AND INSTALLED BY OTHERS.
- THE SYSTEM DETAILED HEREIN IS GENERIC AND DOES NOT PROVIDE INFORMATION FOR A SPECIFIC SITE. FOR SITE CONDITIONS DIFFERENT FROM THE CONDITIONS DETAILED HEREIN, A LICENSED ENGINEER SHALL PREPARE SITE SPECIFIC DOCUMENTS IN CONJUNCTION WITH THIS DOCUMENT.
- FOR AN EXPLANATION OF RISK AND EXPOSURE CATEGORIES THAT ACCOMPANY THE VULT WIND SPEEDS USED IN THIS APPROVAL, SEE SECTIONS 1.5.1 AND 26.7.3, RESPECTIVELY, OF ASCE 7-16. VULT WIND SPEEDS FOR RISK CATEGORY II DETERMINED BY FIGURE 26.5-1B OF ASCE 7-16.
- GENERATOR WEIGHTS AND DIMENSIONS PER MANUFACTURER DOCUMENTATION, TO BE VERIFIED BY OTHERS.
- ALL DIMENSIONS SHOWN ARE REFERENCE AND IN INCHES, UNLESS OTHERWISE SPECIFIED.



Solutions Through Advanced Technology
MAINSTREAM ENGINEERING

200 YELLOW PLACE
ROCKLEDGE, FL 32955
PH: (321) 631-3550
WWW.MAINSTREAM-ENGR.COM

QWIKPAD® FOR GENERATORS
GENERATOR TIE-DOWN SYSTEM FOR HVHZ

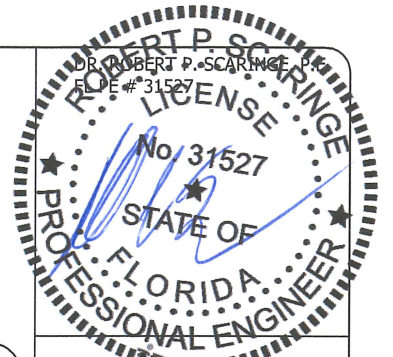
FBC 7TH EDITION (2020) PRODUCT APPROVAL
FL# 27646.1

REV	REMARKS	DRWN	CHKD	DATE
C	UPDATE SUPPORTS; ADD QT8215	B. WOODS	A. CARPENTER	9/24/2020
D	UPDATE FOR FBC 7TH EDITION & ASCE 7-16 COMPLIANCE	B. WOODS	A. CARPENTER	12/4/2020
E	ADD 17 KW, 20 KW, 24 KW GENERATORS	B. WOODS	A. CARPENTER	7/21/2021
F	ADD 17 KW, 20 KW, 24 KW BRIGGS & STRATTON QT8215	R. SIMMONS	A. CARPENTER	12/15/2021
G	ADD 26 KW GENERAC MODEL	R. SIMMONS	A. CARPENTER	1/31/2022
H	REGISTERED TRADE NAME; ADD CUMMINS MODELS; ADD STR201	R. SIMMONS	A. CARPENTER	5/17/2022

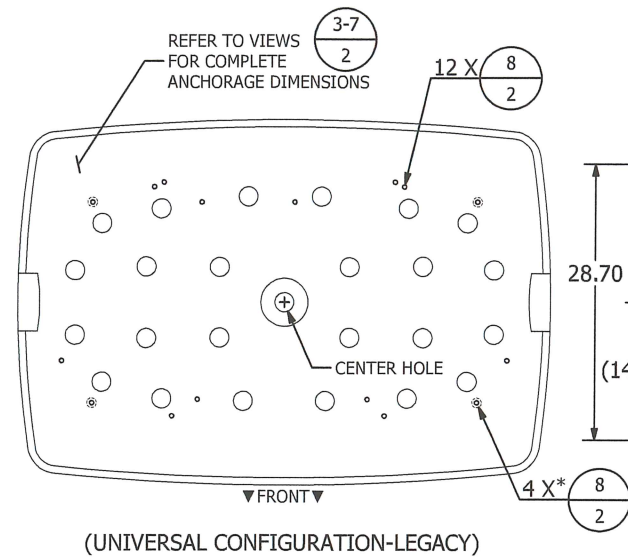
NOTICE: THIS DOCUMENT IS THE PROPERTY OF MAINSTREAM ENGINEERING CORPORATION AND SHALL NOT BE REPRODUCED IN WHOLE OR PART WITHOUT WRITTEN CONSENT OF MAINSTREAM ENGINEERING CORPORATION. ALTERATIONS, ADDITIONS, HIGHLIGHTING, OR OTHER MARKINGS TO THIS DOCUMENT ARE NOT PERMITTED AND INVALIDATE THIS CERTIFICATION.

QT8200
SERIES

ANCHORAGE DETAILS FOR QT8200-SERIES GENERATOR PADS:

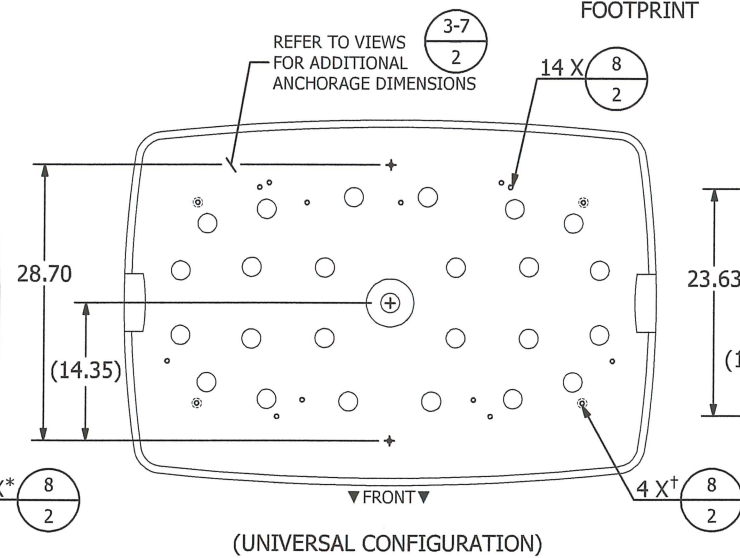


MAINSTREAM ENGINEERING
Solutions Through Advanced Technology
200 YELLOW PLACE
ROCKLEDGE, FL 32955
PH: (321) 631-3550
WWW.MAINSTREAM-ENGR.COM



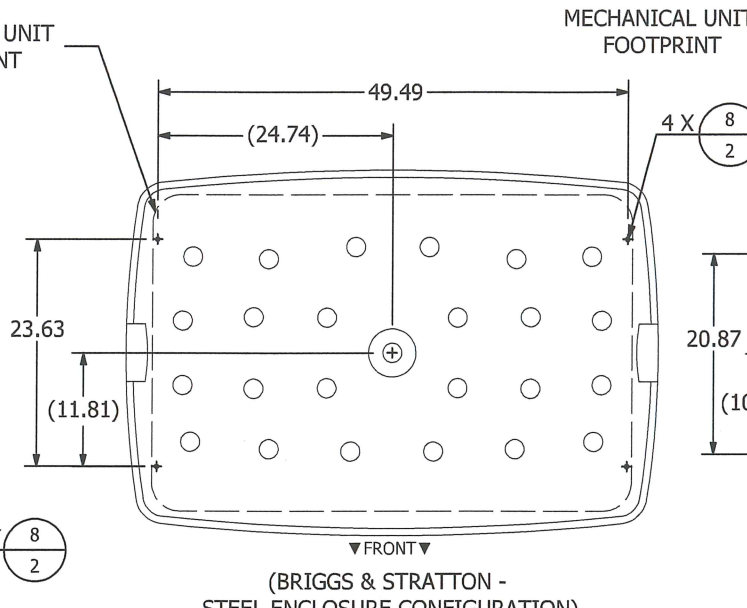
(UNIVERSAL CONFIGURATION-LEGACY)

1 QT8200 ANCHORAGE
2 1:20 SCALE TOP VIEW



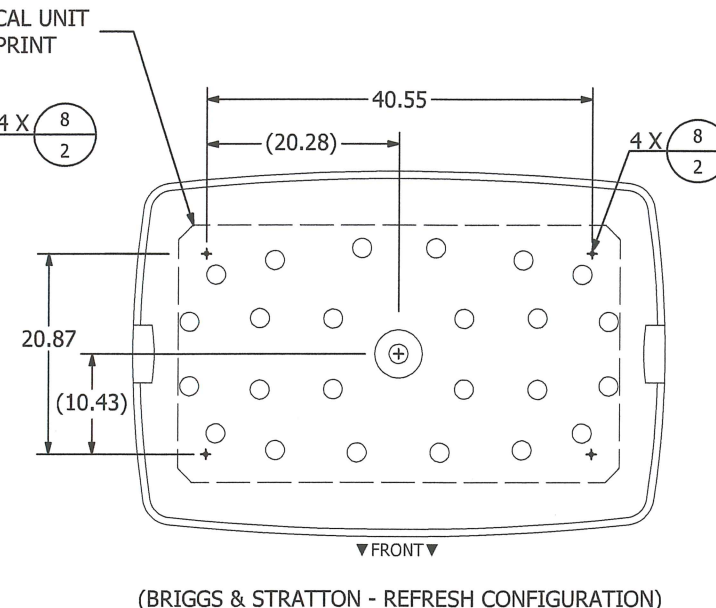
(UNIVERSAL CONFIGURATION)

2 QT8201 ANCHORAGE
2 1:20 SCALE TOP VIEW



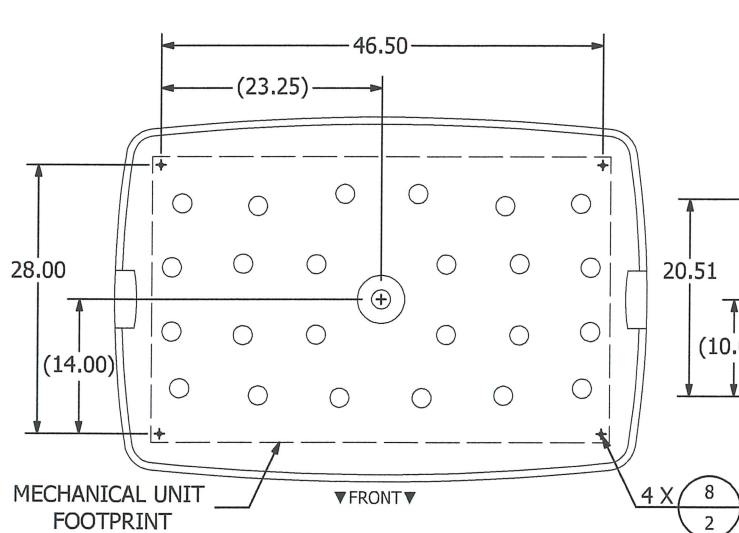
(BRIGGS & STRATTON - STEEL ENCLOSURE CONFIGURATION)

3 QT8210 ANCHORAGE
2 1:20 SCALE TOP VIEW



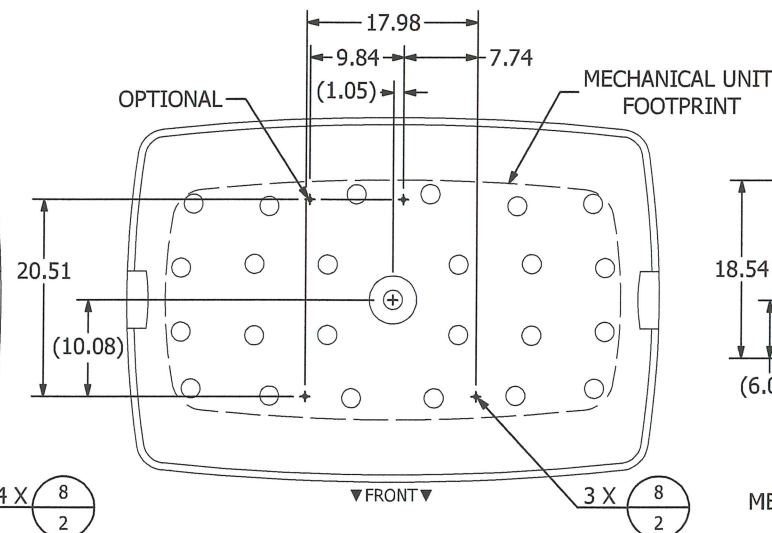
(BRIGGS & STRATTON - REFRESH CONFIGURATION)

4 QT8215 ANCHORAGE
2 1:20 SCALE TOP VIEW



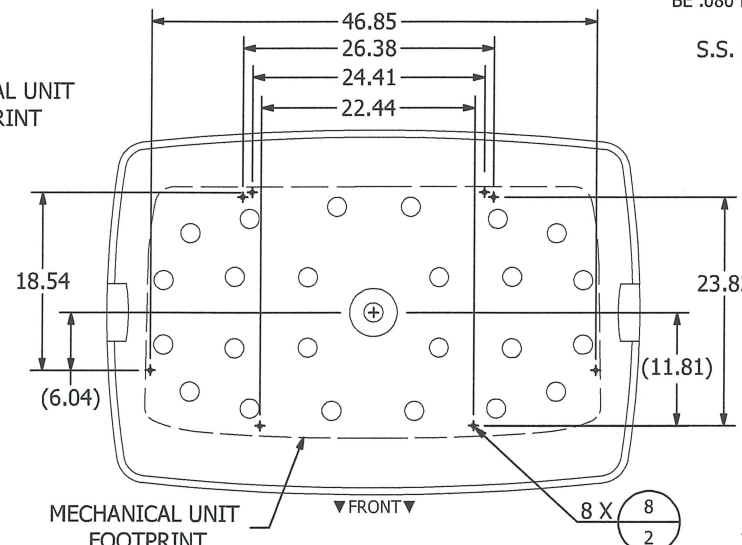
(BRIGGS & STRATTON - ALUMINUM ENCLOSURE CONFIGURATION)

5 QT8220 ANCHORAGE
2 1:20 SCALE TOP VIEW



(GENERAC/HONEYWELL CONFIGURATION)

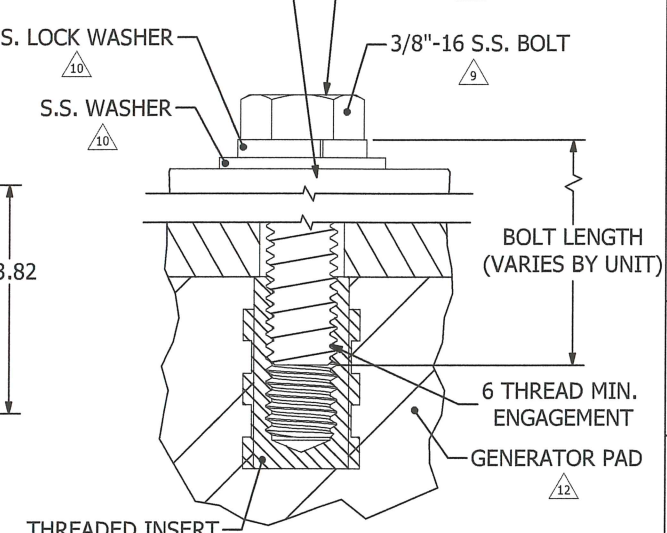
6 QT8230 ANCHORAGE
2 1:20 SCALE TOP VIEW



(KOHLER CONFIGURATION)

7 QT8240 ANCHORAGE
2 1:20 SCALE TOP VIEW

MECHANICAL UNIT BY OTHERS. STEEL MOUNT FRAMES SHALL BE .063 MIN. THICK (Fy=33KSI MIN.), ALUMINUM MOUNT FRAMES SHALL BE .080 MIN. THICK (Fy=30KSI MIN.)



8 ANCHOR DETAIL
2 1:1 SCALE SECTION VIEW

QWIKPAD® FOR GENERATORS
GENERATOR TIE-DOWN SYSTEM FOR HVHZ
FBC 7TH EDITION (2020) PRODUCT APPROVAL
FL # 27646.1

REV	REMARKS	DRWN	CHKD	DATE
C	UPDATE SUPPORTS; ADD QT8215	B. WOODS	A. CARPENTER	9/24/2020
D	UPDATE FOR FBC 7TH EDITION & ADD QWIKPAD FOR QWIKPAD	B. WOODS	A. CARPENTER	12/4/2020
E	ADD QT8210, QT8220, & 24 KW GENERAC	B. WOODS	A. CARPENTER	7/21/2021
F	ADD 17 KW, 20 KW, 26 KW BRIGGS & STRATTON QT8215	R. SIMMONS	A. CARPENTER	12/15/2021
G	ADD 26 KW GENERAC MODEL	R. SIMMONS	A. CARPENTER	1/31/2022
H	REGISTERED MARK; ADD CUMMINS MODELS; ADD QT8201	R. SIMMONS	A. CARPENTER	5/17/2022

NOTICE: THIS DOCUMENT IS THE PROPERTY OF MAINSTREAM ENGINEERING CORPORATION AND SHALL NOT BE REPRODUCED IN WHOLE OR PART WITHOUT WRITTEN CONSENT OF MAINSTREAM ENGINEERING CORPORATION. ALTERATIONS, ADDITIONS, HIGHLIGHTING, OR OTHER MARKINGS TO THIS DOCUMENT ARE NOT PERMITTED AND INVALIDATE THIS CERTIFICATION.

QT8200 SERIES

DWG NO. 5010794 REV H

SHEET 2 OF 4

* QT8200 UNIVERSAL CONFIGURATION LEGACY MAY INCLUDE 12 (STANDARD) OR 16 (ALTERNATE) ANCHORAGE LOCATIONS

† QT8201 UNIVERSAL CONFIGURATION MAY INCLUDE 14 (STANDARD) OR 18 (ALTERNATE) ANCHORAGE LOCATIONS

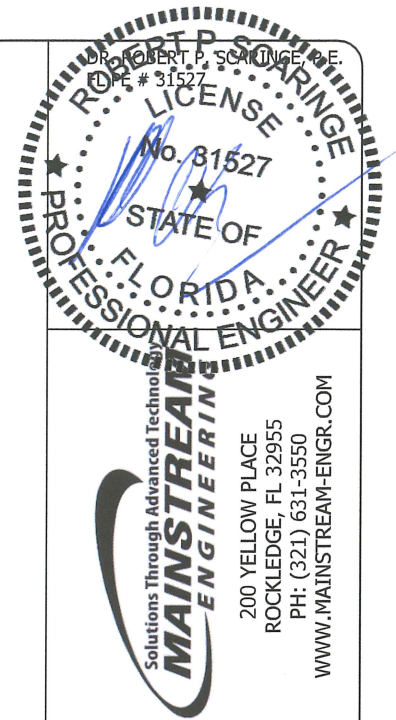
WIND LOAD CALCULATIONS FOR QT8200-SERIES GENERATOR PADS:

APPROPRIATE PAD MODEL DETERMINED USING PAD SCHEDULE ON SHEET 1

TABLE 1. WIND LOAD OVERTURN DESIGN CHECK FOR QT8200-SERIES GENERATOR PADS FOR USE WITH RISK CATEGORY II STRUCTURE (EXPOSURE 'C') IN THE HVHZ.

MAKE	GENERATOR						.6X DEAD LOAD (UNIT + PAD) LB	DEAD LOAD MOMENT FT-LB	F _{WIND, PAD} LB	F _{WIND, UNIT} LB	F _{WIND, TOT} LB	ULTIMATE PRESSURE PSF	WIND SPEED MPH	DESIGN CHECK (NO ANCHORS)	DESIGN CHECK (1 ANCHOR) ‡
	NOMINAL RATING	MODEL NO.	DIMENSIONS			WEIGHT LB									
			L _G IN	W _G IN	H _G IN										
-	-	-	IN	IN	IN	LB	LB	FT-LB	LB	LB	LB	PSF	MPH	-	-
CUMMINS	13 kW	C13N6H	34.1	36	27.3	479	485.4	768.6	67.2	235.7	302.9	117.7	240.0	OK FOR 180 MPH	OK FOR 180 MPH
	17 kW	C17N6H, C20N6H, C20N6HC	34.1	36	27.3	540	522.0	826.5	67.2	235.7	302.9	126.6	248.9	OK FOR 180 MPH	OK FOR 180 MPH
	20 kW	C17N6H, C20N6H, C20N6HC	34.1	36	27.3	540	522.0	826.5	67.2	235.7	302.9	126.6	248.9	OK FOR 180 MPH	OK FOR 180 MPH
BRIGGS & STRATTON	17 kW	40459	47	31	31	484	488.4	773.3	67.2	349.5	416.6	73.4	189.5	OK FOR 180 MPH	OK FOR 180 MPH
	20 kW	040336, 040547	47	31	31	500	498.0	788.5	67.2	349.5	416.6	74.8	191.4	OK FOR 180 MPH	OK FOR 180 MPH
	17, 20 kW	17 AND 20 kW MODELS	46.5	26.8	27.8	400	438.0	693.5	67.2	310.1	377.2	80.2	198.1	OK FOR 180 MPH	OK FOR 180 MPH
	20 kW	040574, 040592, 040573	49.2	31.7	30.6	443	463.8	734.4	67.2	361.1	428.3	68.1	182.6	OK FOR 180 MPH	OK FOR 180 MPH
GENERAC	9 kW	G007029, G007030	48	25.1	28.6	340	402.0	636.5	67.2	329.3	396.4	68.0	182.4	OK FOR 180 MPH	OK FOR 180 MPH
	11 kW	G007031, G007032, G007033	48	25.1	28.6	348	406.8	644.1	67.2	329.3	396.4	68.8	183.4	OK FOR 180 MPH	OK FOR 180 MPH
	16 kW	G007035, G007036, G007037	48	25.1	28.6	409	443.4	702.1	67.2	329.3	396.4	75.0	191.5	OK FOR 180 MPH	OK FOR 180 MPH
	20 kW	G007038, G007039	48	25.1	28.6	448	466.8	739.1	67.2	329.3	396.4	78.9	196.5	OK FOR 180 MPH	OK FOR 180 MPH
	22 kW	G007042, G007043	48	25.1	28.6	466	477.6	756.2	67.2	329.3	396.4	80.8	198.8	OK FOR 180 MPH	OK FOR 180 MPH
HONEYWELL	24 kW	G007209, G007210	48	25.1	28.6	455	471.0	745.8	67.2	329.3	396.4	79.6	197.4	OK FOR 180 MPH	OK FOR 180 MPH
	16 kW	G007059	48	25.1	28.6	409	443.4	702.1	67.2	329.3	396.4	75.0	191.5	OK FOR 180 MPH	OK FOR 180 MPH
	20 kW	G007062	48	25.1	28.6	448	466.8	739.1	67.2	329.3	396.4	78.9	196.5	OK FOR 180 MPH	OK FOR 180 MPH
KOHLER	22 kW	G007065	48	25.1	28.6	466	477.6	756.2	67.2	329.3	396.4	80.8	198.8	OK FOR 180 MPH	OK FOR 180 MPH
	14 kW	14RESA	48	26.2	29	420	450.0	712.5	67.2	333.9	401.1	74.3	190.7	OK FOR 180 MPH	OK FOR 180 MPH
	14 kW	14RESAL	48	26.2	29	467	478.2	757.2	67.2	333.9	401.1	79.0	196.5	OK FOR 180 MPH	OK FOR 180 MPH
	14 kW	14RCA	47	26	32.3	440	462.0	731.5	67.2	364.1	431.3	64.7	177.9	UP TO 177 MPH	OK FOR 180 MPH
	14 kW	14RCAL-200SELS	47	26	32.3	490	492.0	779.0	67.2	364.1	431.3	68.9	183.5	OK FOR 180 MPH	OK FOR 180 MPH
	20 kW	20RESA, 20RESC	48	26.2	29	535	519.0	821.8	67.2	333.9	401.1	85.7	204.8	OK FOR 180 MPH	OK FOR 180 MPH
	20 kW	20RESAL, 20 RESCL	48	26.2	29	580	546.0	864.5	67.2	333.9	401.1	90.1	210.0	OK FOR 180 MPH	OK FOR 180 MPH
	20 kW	20RCA	47	26	32.3	555	531.0	840.8	67.2	364.1	431.3	74.3	190.7	OK FOR 180 MPH	OK FOR 180 MPH
20 kW	20RCAL-200SELS	47	26	32.3	600	558.0	883.5	67.2	364.1	431.3	78.1	195.5	OK FOR 180 MPH	OK FOR 180 MPH	

‡ ANCHOR MUST HAVE A MIN. PULL OUT RATING OF 24 LBS TO PREVENT OVERTURN FOR VULT WIND SPEEDS UP TO 180 MPH IF 'DESIGN CHECK (NO ANCHORS)' IS BELOW 180 MPH.



QWIKPAD® FOR GENERATORS
GENERATOR TIE-DOWN SYSTEM FOR HVHZ

FBC 7TH EDITION (2020) PRODUCT APPROVAL
FL # 27646.1

REV	REMARKS	DRWN	CHKD	DATE
C	UPDATE SUPPORTS, ADD QTR215	B. WOODS	A. CARPENTER	9/24/2020
D	UPDATE FOR FBC 7TH EDITION & QTR215, QTR216, & 24 KW GENERAC	B. WOODS	A. CARPENTER	12/4/2020
E	ADD QTR216, QTR220, & 24 KW GENERAC	B. WOODS	A. CARPENTER	7/21/2021
F	ADD 17 KW, 20 KW, 26 KW BRIGGS & STRATTON QTR215	R. SIMMONS	A. CARPENTER	12/15/2021
G	ADD 26 KW GENERAC MODEL	R. SIMMONS	A. CARPENTER	1/31/2022
H	REGISTERED MARK, ADD CUMMINS MODELS, ADD QTR201	R. SIMMONS	A. CARPENTER	5/17/2022

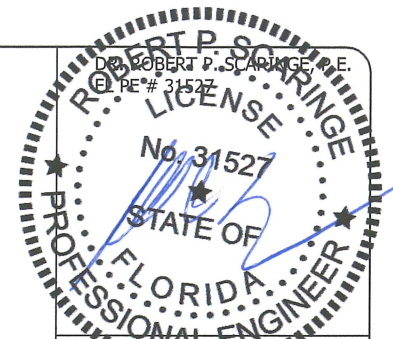
NOTICE: THIS DOCUMENT IS THE PROPERTY OF MAINSTREAM ENGINEERING CORPORATION AND SHALL NOT BE REPRODUCED IN WHOLE OR PART WITHOUT WRITTEN CONSENT OF MAINSTREAM ENGINEERING CORPORATION. ALTERATIONS, ADDITIONS, HIGH-LIGHTING, OR OTHER MARKINGS TO THIS DOCUMENT ARE NOT PERMITTED AND INVALIDATE THIS CERTIFICATION.

WIND LOAD CALCULATIONS FOR QT8200-SERIES GENERATOR PADS:
 APPROPRIATE PAD MODEL DETERMINED USING PAD SCHEDULE ON SHEET 1

TABLE 2. WIND LOAD SLIDING DESIGN CHECK FOR QT8200-SERIES GENERATOR PADS INSTALLED **ATOP EXISTING CONCRETE SLAB** FOR USE WITH RISK CATEGORY II STRUCTURE (EXPOSURE 'C') IN THE HVHZ.

MAKE	GENERATOR						NORMAL FORCE LB	STATIC FRICTION ($\mu_s = 0.6$) LB	F _{WIND, PAD} LB	F _{WIND, UNIT} LB	F _{WIND, TOT} LB	ULTIMATE PRESSURE PSF	WIND SPEED MPH	DESIGN CHECK (NO ANCHORS)	DESIGN CHECK (1 ANCHOR) †
	NOMINAL RATING	MODEL NO.	DIMENSIONS			WEIGHT LB									
			L _G IN	W _G IN	H _G IN										
-	-	-	IN	IN	IN	LB	LB	LB	LB	LB	PSF	MPH	-	-	
CUMMINS	13 kW	C13N6H	34.1	36	27.3	479	809.0	485.4	107.6	377.8	485.4	55.4	164.6	UP TO 164 MPH	OK FOR 180 MPH
	17 kW	C17N6H, C20N6H, C20N6HC	34.1	36	27.3	540	870.0	522.0	115.7	406.3	522.0	59.5	170.7	UP TO 170 MPH	OK FOR 180 MPH
	20 kW	C17N6H, C20N6H, C20N6HC	34.1	36	27.3	540	870.0	522.0	115.7	406.3	522.0	59.5	170.7	UP TO 170 MPH	OK FOR 180 MPH
BRIGGS & STRATTON	17 kW	40459	47	31	31	484	814.0	488.4	78.7	409.7	488.4	40.5	140.8	UP TO 140 MPH	OK FOR 180 MPH
	20 kW	040336, 040547	47	31	31	500	830.0	498.0	80.3	417.7	498.0	41.3	142.1	UP TO 142 MPH	OK FOR 180 MPH
	17, 20 kW	17 AND 20 kW MODELS	46.5	26.8	27.8	400	730.0	438.0	78.0	360.0	438.0	40.1	140.1	UP TO 140 MPH	OK FOR 180 MPH
	20 kW	040574, 040592, 040573	49.2	31.7	30.6	443	773.0	463.8	72.7	391.1	463.8	37.4	135.3	UP TO 135 MPH	OK FOR 180 MPH
GENERAC	9 kW	G007029, G007030	48	25.1	28.6	340	670.0	402.0	68.1	333.9	402.0	35.0	130.9	UP TO 130 MPH	OK FOR 180 MPH
	11 kW	G007031, G007032, G007033	48	25.1	28.6	348	678.0	406.8	68.9	337.9	406.8	35.4	131.7	UP TO 131 MPH	OK FOR 180 MPH
	16 kW	G007035, G007036, G007037	48	25.1	28.6	409	739.0	443.4	75.1	368.3	443.4	38.6	137.5	UP TO 137 MPH	OK FOR 180 MPH
	20 kW	G007038, G007039	48	25.1	28.6	448	778.0	466.8	79.1	387.7	466.8	40.7	141.1	UP TO 141 MPH	OK FOR 180 MPH
	22 kW	G007042, G007043	48	25.1	28.6	466	796.0	477.6	80.9	396.7	477.6	41.6	142.7	UP TO 142 MPH	OK FOR 180 MPH
	24 kW	G007209, G007210	48	25.1	28.6	455	785.0	471.0	79.8	391.2	471.0	41.0	141.7	UP TO 141 MPH	OK FOR 180 MPH
HONEYWELL	16 kW	G007059	48	25.1	28.6	409	739.0	443.4	75.1	368.3	443.4	38.6	137.5	UP TO 137 MPH	OK FOR 180 MPH
	20 kW	G007062	48	25.1	28.6	448	778.0	466.8	79.1	387.7	466.8	40.7	141.1	UP TO 141 MPH	OK FOR 180 MPH
	22 kW	G007065	48	25.1	28.6	466	796.0	477.6	80.9	396.7	477.6	41.6	142.7	UP TO 142 MPH	OK FOR 180 MPH
KOHLER	14 kW	14RESA	48	26.2	29	420	750.0	450.0	75.4	374.6	450.0	38.8	137.7	UP TO 137 MPH	OK FOR 180 MPH
	14 kW	14RESAL	48	26.2	29	467	797.0	478.2	80.1	398.1	478.2	41.2	142.0	UP TO 141 MPH	OK FOR 180 MPH
	14 kW	14RCA	47	26	32.3	440	770.0	462.0	71.9	390.1	462.0	37.0	134.5	UP TO 134 MPH	OK FOR 180 MPH
	14 kW	14RCAL-200SELS	47	26	32.3	490	820.0	492.0	76.6	415.4	492.0	39.4	138.8	UP TO 138 MPH	OK FOR 180 MPH
	20 kW	20RESA, 20RESC	48	26.2	29	535	865.0	519.0	86.9	432.1	519.0	44.7	147.9	UP TO 147 MPH	OK FOR 180 MPH
	20 kW	20RESAL, 20 RESCL	48	26.2	29	580	910.0	546.0	91.4	454.6	546.0	47.0	151.7	UP TO 151 MPH	OK FOR 180 MPH
	20 kW	20RCA	47	26	32.3	555	885.0	531.0	82.7	448.3	531.0	42.5	144.2	UP TO 144 MPH	OK FOR 180 MPH
	20 kW	20RCAL-200SELS	47	26	32.3	600	930.0	558.0	86.9	471.1	558.0	44.7	147.9	UP TO 147 MPH	OK FOR 180 MPH

† FOR VULT WIND SPEEDS ABOVE THE 'DESIGN CHECK (NO ANCHORS)' WIND SPEED, (1) Ø1/4" X 5" ITW TAPCON CONCRETE SCREW (1.25" MIN. EMBEDMENT IN 3000 PSI MIN. CONCRETE AT 3.0" MIN. EDGE DISTANCE) INSTALLED WITH S.S. FENDER WASHER (13 GA MIN.) REQUIRED TO PREVENT SLIDING ON CONCRETE UP TO VULT WIND SPEEDS OF 180 MPH.



MAINSTREAM ENGINEERING
 Solutions Through Advanced Technology
 200 YELLOW PLACE
 ROCKLEDGE, FL 32955
 PH: (321) 631-3550
 WWW.MAINSTREAM-ENGR.COM

QWIKPAD® FOR GENERATORS
 GENERATOR TIE-DOWN SYSTEM FOR HVHZ
 PRODUCT APPROVAL
FL # 27646.1

REV	REMARKS	DRWN	CHKD	DATE
C	UPDATE SUPPORTS, ADD QT8215	B. WOODS	A. CARPENTER	9/24/2020
D	UPDATE FOR FBC 7TH EDITION & ASCE 7-16 COMPLIANCE	B. WOODS	A. CARPENTER	12/4/2020
E	ADD QT8216, QT8220, & 24 KW GENERAC	B. WOODS	A. CARPENTER	7/21/2021
F	ADD 17 KW, 20 KW, 26 KW BRIGGS & STRATTON QT8215	R. SIMMONS	A. CARPENTER	12/15/2021
G	ADD 26 KW GENERAC MODEL REGISTERED TRADE MARK, ADD CUMMINS MODELS, ADD QT8201	R. SIMMONS	A. CARPENTER	1/31/2022
H	REGISTERED TRADE MARK, ADD CUMMINS MODELS, ADD QT8201	R. SIMMONS	A. CARPENTER	5/17/2022

NOTICE: THIS DOCUMENT IS THE PROPERTY OF MAINSTREAM ENGINEERING CORPORATION AND SHALL NOT BE REPRODUCED IN WHOLE OR PART WITHOUT WRITTEN CONSENT OF MAINSTREAM ENGINEERING CORPORATION. ALTERATIONS, ADDITIONS, HIGHLIGHTING, OR OTHER MARKINGS TO THIS DOCUMENT ARE NOT PERMITTED AND INVALIDATE THIS CERTIFICATION.